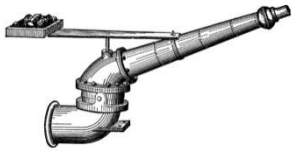
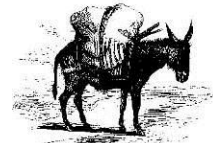


# KENTUCKY CAMP



# CHRONICLE



Newsletter on the gold mining and ranching heritage of Kentucky Camp, AZ

April 2014

## Scouts and Friends: Partners in Mud

By Chris Schrager

On Saturday April 12, a partnership of Boy Scouts, Friends of Kentucky Camp, and the Coronado NF Heritage Program resulted in extensive protection and preservation of adobe buildings at historic Kentucky Camp in the Santa Rita Mountains southeast of Tucson.



Chris Schrager provided a safety briefing before work got under way.

Over the years, the Friends of KC have been a valuable partner in efforts to preserve, promote, and interpret the site. Many of the projects were undertaken through the Passport In Time program; others have enlisted CNF staff, school groups, and Boy Scouts. Such was the case in April.



Scouts prepare tools for making adobe mud

### INSIDE THIS ISSUE

### PAGE

Scouts and Friends: Partners in Mud	1
New Screen Doors for Kentucky Camp	3
Adobe Barn Retrospective	4
Announcements	5

Zack Lockhart, Eagle Scout candidate from Troop 772 in Vail, AZ organized a group of 30 Scouts and family members for the project. They arrived early Saturday morning, and after a field safety briefing set to work mixing adobe and repairing cracks and eroded areas on the walls.

Material for the adobe mud was recycled from old bricks that had recently fallen from the barn wall. The barn wall has been progressively leaning to the north over the past few years. (See the newsletter article on page 4 for more on this topic.)



Retrieving fallen adobe bricks from the barn. Note the leaning barn wall

All phases of the process were facilitated by Mark Doumas, John Weiss, and Pete VanCleve of the Friends. Their many years of volunteer mud work on the adobe walls of Kentucky Camp made for excellent teaching of the Scouts and their families.



*Scout mixing adobe mud*

The rest of the morning was spent practicing the techniques of adobe patching and repair, as the Scouts proved to be quick learners and willing workers. After lunch, another round of protective adobe was applied. In all, multiple locations on four buildings were repaired, particularly at the bases of exterior walls where basal coving had caused the most severe deterioration.



*Scouts applying adobe mud to Gold Processing Building*

After a full day's labor, the volunteers hunkered down for dinner and relaxation; unfortunately, extremely dry conditions and high winds precluded a campfire! Sunday morning was given over to breakfast, an inspection of the previous day's mud work, and a thorough clean-up of the site. Everyone can take pride in their hard work and the tremendous benefit realized by the Scouts, the Friends, the Coronado NF, and the resources themselves.

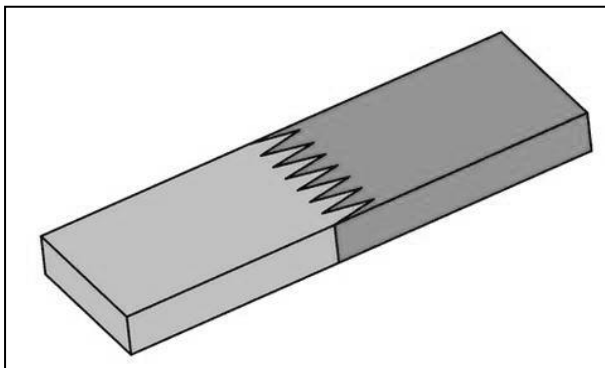


*Chris Schragger shows scouts how to apply adobe mud*

## New Screen Doors for Kentucky Camp

By John Weiss

For years, the FKC and NFS have discussed the need for new screen doors on the buildings at Kentucky Camp. The current screen doors are an off-the-shelf variety that currently retail for \$180 each at local home-improvement stores. These doors have not served us well, primarily because the rails and stiles (horizontal and vertical) wooden members of the doors are not solid, but glued up pieces that are joined by finger joints.



Drawing courtesy of Craftmanspace

Over time, these doors have taken a beating, and their weakest part are the finger joints. In many of the frequently-used doors, the glue dries and the joint separates, so that the door "loses integrity" and begins to fall apart. There is no easy way to fix this and no good reason to try.

I did a search for "wood screen doors", and the only nearby source for well-made doors was an outfit called Coppa Woodworking, near Long Beach. They have a wide selection of screen door types, and they use solid wood for the construction.

Money for the doors became available (for the rental buildings only), so the FKC board decided to purchase an initial number of doors. We selected a door style most consistent with the single historic screen door that was found and refurbished on site.



From left to right: a new door from Coppa, a current door, the historic screen door

Photo courtesy of John Weiss

The Coppa door has two lower panels; the historic door has 3 panels, the important part being that there are solid panels, not screen, in the lower part. The Coppa door has an additional cross member in the upper portion, which will add to screen protection. The new doors are solid Douglas-Fir, a very strong wood, weather and insect resistant.

We must now determine the finish for the doors. The historic door has signs of a light translucent white-ish paint on the inside side of the door. It's could very well be a milk-paint, common at that time. Other options could be a white/off-white finish, or a stain/acrylic topcoat. This will be decided at a later date next month.

I think these doors will add a great deal to the 'curb-appeal' of our buildings.

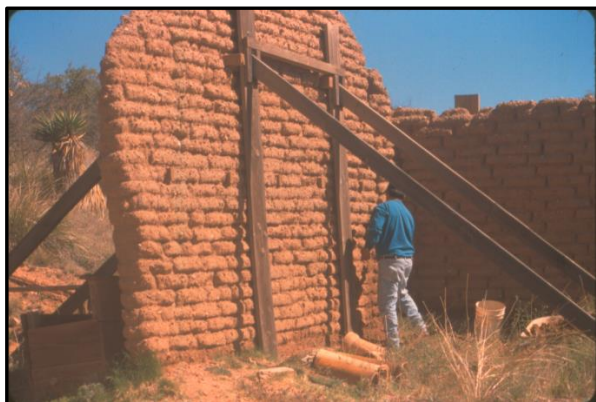
## Adobe Barn Retrospective

By Mark Doumas

The adobe barn at Kentucky Camp was beyond the point of rehabilitation when the Forest Service acquired the property in 1989. The plan for this building has been to stabilize it.... Understanding that, eventually, it will simply dissolve in the monsoon rains. In recent years, the wall with the main gable has taken a decidedly leaning stance and some bricks have begun to tumble. (All photos from the Friends of Kentucky Camp photo archive.)



1992 - with collapsed roof



1995 - with support braces in place



2003



2007



2010



2012

Our next volunteer day is Saturday, May 10. We will continue painting the eaves and fascia boards on the Gold Processing Building and the Headquarters Building. We typically work from 8AM to 1PM with a break for lunch. Contact Mark Doumas at [doumas@mindspring.com](mailto:doumas@mindspring.com) if you are interested in participating in on-site activities.

### **Become a Friends of Kentucky Camp Member**

Don't miss out on the fun, the excitement, the Chronicle, and the opportunity to participate in Kentucky Camp's future! Renewing your membership is a simple way to support our ongoing rehabilitation efforts at Kentucky Camp and represents our primary source of funding. Student, Individual and Family memberships are very reasonably priced. If you'd like to give at a more substantial level, consider a Supporting or Contributing membership..... Or, even a Lifetime membership! Remember, Friends of Kentucky Camp is a 501 (c) (3) non-profit organization: your membership fee may qualify as a charitable deduction for federal income tax purposes.

To see if your membership is current, look at the mailing label on the front of this newsletter. If it says "Renew in June of 13" then your membership has expired and it's time to renew. (If your mailing label says "Renew in June of NA", then you are a lifetime member or have received a courtesy copy.) If your renewal year is in error, contact John Weiss at 520 323-0358 or [jweiss25@cox.net](mailto:jweiss25@cox.net).

### **On-line Membership**

In addition to our annual membership newsletter, you can also renew online:

<http://www.kentuckycamp.org/>

Choose "Support Kentucky Camp". Using the online renewal process, you can also choose to have your newsletter delivered electronically versus hard copy.

We have an email discussion group for Friends of Kentucky Camp where we discuss current events. To join the discussion group, send an email to:

**[FriendsofKentuckyCamp-subscribe@yahoogroups.com](mailto:FriendsofKentuckyCamp-subscribe@yahoogroups.com)**

If you have changed your email address recently and wondered why you no longer receive discussion group email, you need to resend an email to the above address from your new email account. To unsubscribe, send an email from the email account you want to be removed from the discussion group to:

**[FriendsofKentuckyCamp-unsubscribe@yahoogroups.com](mailto:FriendsofKentuckyCamp-unsubscribe@yahoogroups.com)**

You don't need to put anything in the subject line or body of the email. Look for a confirmation email after you send the email.... If you don't see one within a few hours, remember to check your spam folder. Additions to the distribution list are screened for spammers!

**Friends of Kentucky Camp**

4259 E. Paseo Grande  
Tucson, AZ 85711

**Web Site:**

<http://www.kentuckycamp.org/>

**Discussion Group:**

FriendsofKentuckyCamp-subscribe@yahoogroups.com

**Newsletter Submissions:**

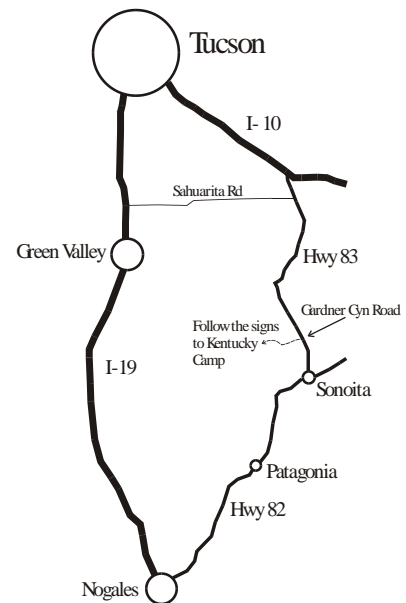
jweiss25@cox.net

**Board of Directors:**

President	Mark Doumas	520 299-4281
Vice Pres.	Pete Van Cleve	520 378-1955
Secretary	John Weiss	520 323-0358
Treasurer	Nancy Hough	520 578-9053
At-Large	Mary Farrell	520 979-9114

**Forest Service Liaison:**

Kathy Makansi	520 760-2502
---------------	--------------

**Memberships:**

Student (\$5) Individual (\$10) Family (\$15)  
Contributing (\$25) Supporting (\$50) Lifetime (\$200)

Friends of Kentucky Camp is a 501 (c) (3) non-profit organization: your membership fee may qualify as a charitable deduction for federal income tax purposes.